



Class I, Div. 1 & 2, Groups B,C,D
Class I, Zones I & 2, Groups IIB+H₂, IIA
Class II, Div. 1 & 2, Groups F & G
Class III
NEMA 3, 4, 4X, 7 (B,C,D), 9 (F,G)



FEATURES-SPECIFICATIONS

Features

Receptacle:

- N4X with receptacle lid turned shut or with plug locking ring tightened
- Plug held in place when switch is “Off” for convenience. Pull button operated release mechanism. Plug does not have to be twisted to operate switch
- Dead-front construction when receptacle is off. Switch cannot be turned “ON” without fully inserted plug. Plug cannot be removed with switch in “ON” position
- Wire Connections do not bend when opening and closing door – minimizes loosening during installation or maintenance procedures

VersaMate VBQ Receptacles use VersaMate Style II plugs found on 30, 60 and 100 amp pages and are compatible with appropriately configured Crouse-Hinds® Arkrite® or Appleton® Powertite® plugs (when installed in accordance with instructions furnished with device).

**CSA pending.*

Arkrite® is a registered trademark of Crouse-Hinds®.

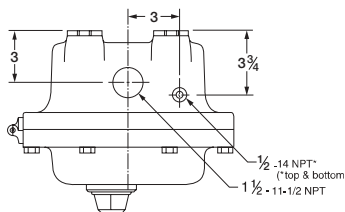
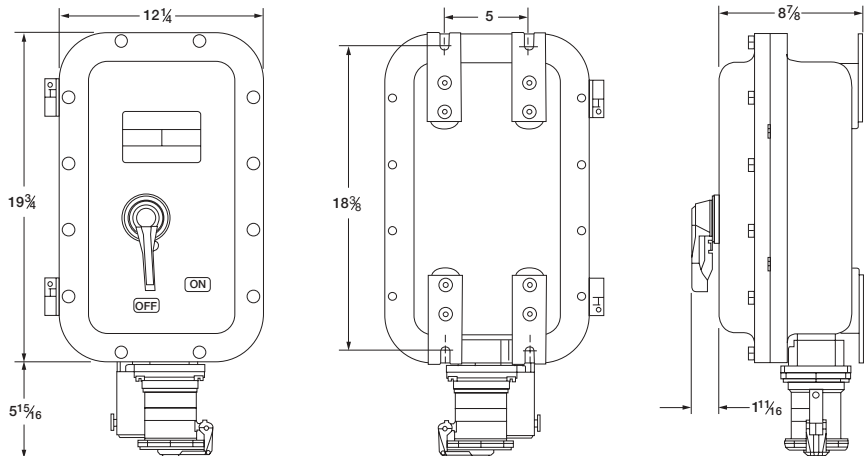
Powertite® is a registered trademark of Appleton®.

Enclosure:

- Spacious wiring room. Meets the latest NEC wire bending requirements for circuit breaker enclosures
- Ductile Mounting Lugs to adjust to uneven surfaces
- Copper-free construction with 316 grade Stainless Steel External Hardware
- Quick Release Cover Bolts with Triple Leads – only 3-1/2 turns to disengage

- Recessed Flange Notches – Allows easier cover opening with prying instrument without flange damage
- Aluminum lacquer paint finish for corrosion resistance
- Visible “ON” external Breaker Handle has provisions for locking “ON” or “OFF” with up to three Padlocks
- Internal Lock-Off provision for maintenance when no hazardous materials are present

Dimensions



Receptacle assembly is field replaceable for maintenance.

Ordering information listed in the instruction sheets provided with the product.

VERSAMATE® SERIES • PLUGS AND RECEPTACLES
VBQ BREAKER PROTECTED INTERLOCKED RECEPTACLE
600VAC/250VDC

PR13



Internal Lock-Off provision for maintenance when no hazardous materials are present

Class I, Div. 1 & 2, Groups B,C,D
 Class I, Zones I & 2, IIB+H₂, IIA
 Class II, Div. 1 & 2, Groups F & G
 Class III
 NEMA 3, 4, 4X, 7 (B,C,D), 9 (F,G)



ORDERING INFORMATION

VBQ RECEPTACLES									
RECEPTACLE	CIRCUIT	BREAKER	CATALOG NUMBER						
			SQUARE D FAL (480 VAC MAX.)	SQUARE D FHL (600 VAC MAX.)	CUTLER-HAMMER EHD (480 VAC MAX.)	CUTLER-HAMMER FD (600 VAC MAX.)	VERSAMATE PLUG		
30	2W3P	20	VBQ3023SN20	VBQ3023SH20	VBQ3023CN20	VBQ3023CH20	VP3385		
		30	VBQ3023SN30	VBQ3023SH30	VBQ3023CN30	VBQ3023CH30	VP3385		
		40	VBQ3023SN40	VBQ3023SH40	VBQ3023CN40	VBQ3023CH40	VP3385		
		50	VBQ3023SN50	VBQ3023SH50	VBQ3023CN50	VBQ3023CH50	VP3385		
	3W4P	20	VBQ3034SN20	VBQ3034SH20	VBQ3034CN20	VBQ3034CH20	VP3485		
		30	VBQ3034SN30	VBQ3034SH30	VBQ3034CN30	VBQ3034CH30	VP3485		
		40	VBQ3034SN40	VBQ3034SH40	VBQ3034CN40	VBQ3034CH40	VP3485		
		50	VBQ3034SN50	VBQ3034SH50	VBQ3034CN50	VBQ3034CH50	VP3485		
60	2W3P	50	VBQ6023SN50	VBQ6023SH50	VBQ6023CN50	VBQ6023CH50	VP6385		
		60	VBQ6023SN60	VBQ6023SH60	VBQ6023CN60	VBQ6023CH60	VP6385		
		70	VBQ6023SN70	VBQ6023SH70	VBQ6023CN70	VBQ6023CH70	VP6385		
		90	VBQ6023SN90	VBQ6023SH90	VBQ6023CN90	VBQ6023CH90	VP6385		
		100	VBQ6023SN100	VBQ6023SH100	VBQ6023CN100	VBQ6023CH100	VP6385		
	3W4P	50	VBQ6034SN50	VBQ6034SH50	VBQ6034CN50	VBQ6034CH50	VP6485		
		60	VBQ6034SN60	VBQ6034SH60	VBQ6034CN60	VBQ6034CH60	VP6485		
		70	VBQ6034SN70	VBQ6034SH70	VBQ6034CN70	VBQ6034CH70	VP6485		
		90	VBQ6034SN90	VBQ6034SH90	VBQ6034CN90	VBQ6034CH90	VP6485		
		100	VBQ6034SN100	VBQ6034SH100	VBQ6034CN100	VBQ6034CH100	VP6485		
		100	2W3P	50	VBQ1023SN50	VBQ1023SH50	VBQ1023CN50	VBQ1023CH50	VP10387
				70	VBQ1023SN70	VBQ1023SH70	VBQ1023CN70	VBQ1023CH70	VP10387
90	VBQ1023SN90			VBQ1023SH90	VBQ1023CN90	VBQ1023CH90	VP10387		
100	VBQ1023SN100			VBQ1023SH100	VBQ1023CN100	VBQ1023CH100	VP10387		
3W4P	50		VBQ1034SN50	VBQ1034SH50	VBQ1034CN50	VBQ1034CH50	VP10487		
	70		VBQ1034SN70	VBQ1034SH70	VBQ1034CN70	VBQ1034CH70	VP10487		
	90		VBQ1034SN90	VBQ1034SH90	VBQ1034CN90	VBQ1034CH90	VP10487		
	100		VBQ1034SN100	VBQ1034SH100	VBQ1034CN100	VBQ1034CH100	VP10487		

PR

Circuit Breaker Interrupting Ratings	208/240 VAC	480 VAC	600 VAC	250 VDC†
Square D FAL	25,000	18,000	—	10,000
Square D FHL	65,000	25,000	18,000	10,000
Cutler-Hammer EHD	18,000	14,000	—	10,000
Cutler-Hammer FD	65,000	25,000	18,000	10,000

Consult Breaker Manufacturer literature for Horsepower Ratings.

†DC ratings apply to substantially non-inductive circuits.

Circuit Breaker	Wire Range
Square D	To 30 Amp #14-4 cu.; 35-100 Amp #14-1/0 cu.
Cutler-Hammer	To 20 Amp #14-10 cu.; 30-100 Amp #14-1/0 cu.

MODIFICATIONS ^①	
CATALOG NUMBER	DESCRIPTION
S37	Polarization for receptacles & plugs
SU10	Drain
SU11	Breather
SU3	Drain and Breather (CSA Groups C & D)

*CSA pending

① See page PR5 and price sheet for more information on these options.

