



- **VSQ Hazardous Location Ratings**
Class I, Div. 1 & 2, Groups B,C,D
Class I, Zones I & 2, Groups IIB+H₂, IIA
Class II, Div. 1 & 2, Groups F & G
Class III
NEMA 3, 4, 4X, 7 (B,C,D), 9 (F,G)
- **VWSQ for Wet & Corrosive Locations**
NEMA 3, 4, 4X

Wire Range

30 Amp Regular Stranding Max #10
60 Amp Regular Stranding Max #4

File No. E91049

Certified File No. LR14667

FEATURES-SPECIFICATIONS

Features

- N4X with receptacle lid turned shut or with plug locking ring tightened
- Copper-free aluminum construction with electrostatically applied polyester/epoxy finish. Handle mechanism is chemical resistant Valox® (™ General Electric).
- Compact size and footprint
- Patent Pending Plug Interlock Mechanism
- Dead-front construction. Switch cannot be turned "ON" without fully inserted plug. Plug cannot be removed with switch in "ON" position
- Plug held in place when switch is "Off" for convenience. Push button operated release mechanism. Plug & wiring do not have to be twisted or held to operate switch
- Factory Wired Receptacle; easy to wire line side of switch
- Easily visible "On-Off" indicator handle
- "Off" position is padlockable for maintenance safety

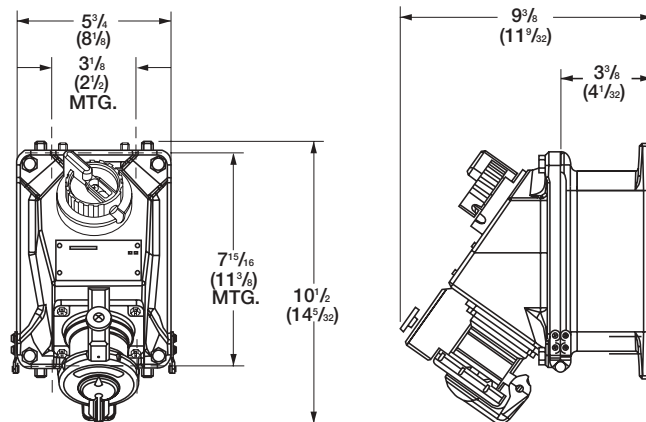
- Auxiliary Contact (late-make early-break) contact rated 10 Amp, 1/3 HP at 125/250 VAC. Can be used for operating pilot lights or starter coils (standard model only)
- Feed-through construction
- Horsepower Rated

HORSEPOWER RATINGS (VAC)	120	240	480	600	
30A	10 30	2 3	5 7.5	10 15	15 20
60A	10 30	– –	10 10	15 25	20 30

VSQ & VWSQ RECEPTACLES				
AMPS	CIRCUIT	CATALOG NUMBER		
		VSQ HAZARDOUS	VWSQ N4X ONLY	VERSAMATE PLUG
30	2W3P	VSQ3023	VWSQ3023	VP3385
	3W4P	VSQ3034	VWSQ3034	VP3485
60	2W3P	VSQ6023	VWSQ6023	VP6385
	3W4P	VSQ6034	VWSQ6034	VP6485

NOTES: VSQ/VWSQ 30 Amp models come standard with 1" drilled and tapped conduit openings top and bottom plus two 1" x 3/4" reducers and one 3/4" close-up plug for maximum flexibility. 60 amp models come with 1-1/2" openings top and bottom and one 1-1/2" close-up plug. VSQ & VWSQ Receptacle covers are NOT interchangeable.

Dimensions



Dimensions shown are in inches for 30 AMP: 60 Amp dimensions in ().
NOTE: 60A has adjustable ductile lugs (vertical or side) for attachment to uneven surfaces.

MODIFICATIONS*	
CATALOG NUMBER	DESCRIPTION
S37	Polarization for receptacles, plugs

*See page PR5 for more information on this option

VersaMate VSQ & VWSQ Receptacles use VersaMate Style II plugs found on pages PR6 & PR7 and are compatible with appropriately configured Crouse-Hinds® Arkrite® or Appleton® Powertite® plugs (when installed in accordance with instructions furnished with device)

Arkrite® is a registered trademark of Crouse-Hinds®.
Powertite® is a registered trademark of Appleton®.

